

VERTICAL A.S.M.E. TANKS



GENERAL SPECIFICATIONS

Designed and built to ASME Section VIII, Division 1 complies with NFPA 58
Registered with Canadian registration number (CRN)
Rated at 250 PSI from -20° to 125°F
Vacuum purged - Ready to fill
Choice of Rego or Cavagna valves
Rochester liquid level gauges standard with steel gears and snap-on-dial
Superior powder coated finish
White plastic lid standard
Gray/black plastic lid or custom metal matched color lid available (min qty applies)
Boom crane delivery standard

Standard WG offering: 57/119 WG

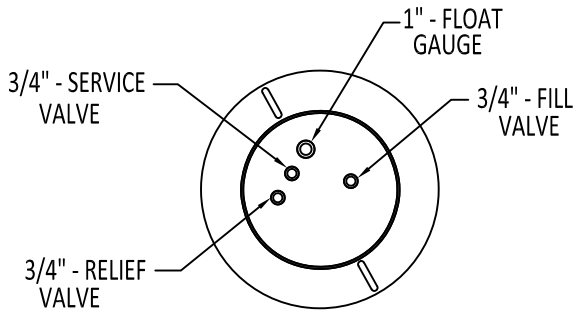
Standard colors: WHITE / TAN / GRAY

Custom colors: AVAILABLE

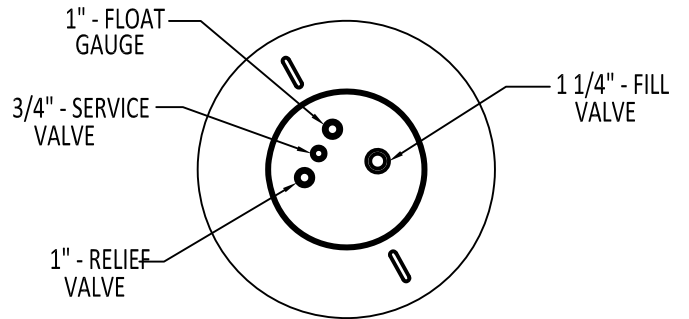


2999 Olympus Blvd
Suite 450
Dallas, TX 75019

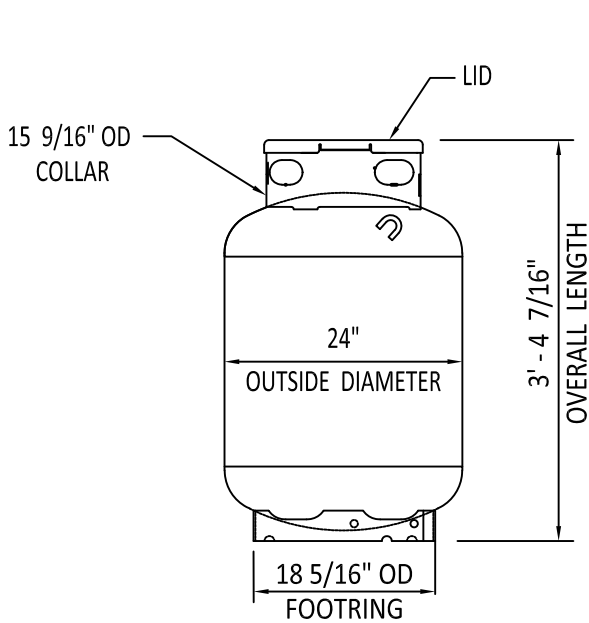
888 558 8225
customerservice@triarccorp.com



FITTING LAYOUT

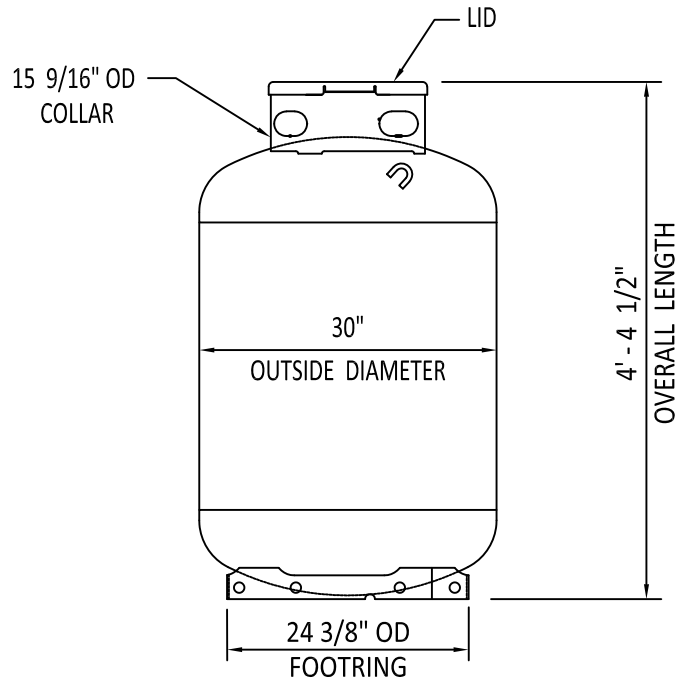


FITTING LAYOUT



24 OD (57 WG)

Est. weight: 168 lbs. Quantity in Full Load: 224



30" OD (119 WG)

Est. weight: 332 lbs. Quantity in Full Load: 108